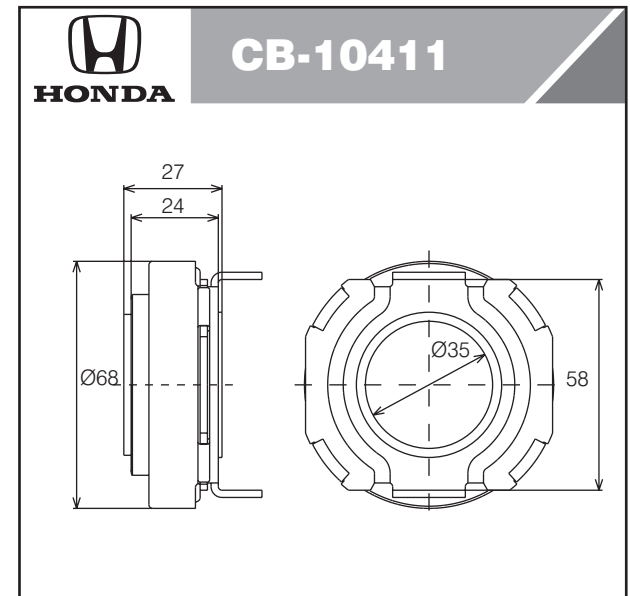
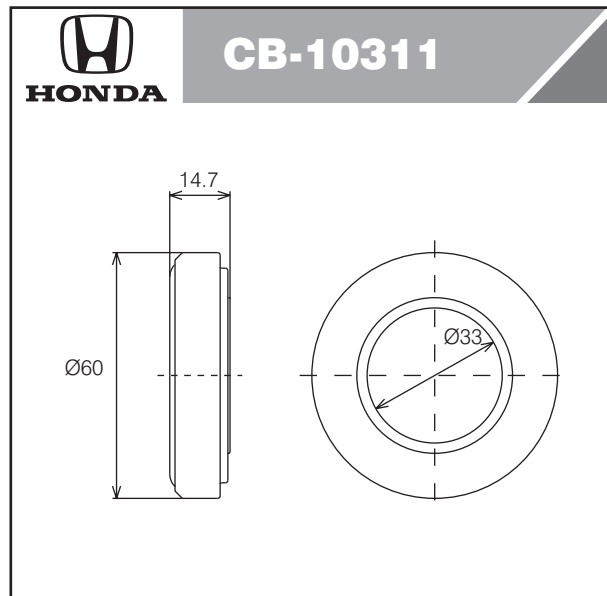
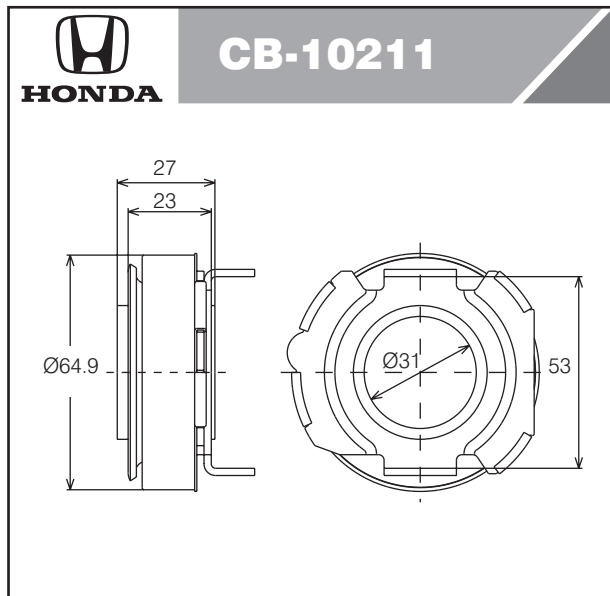
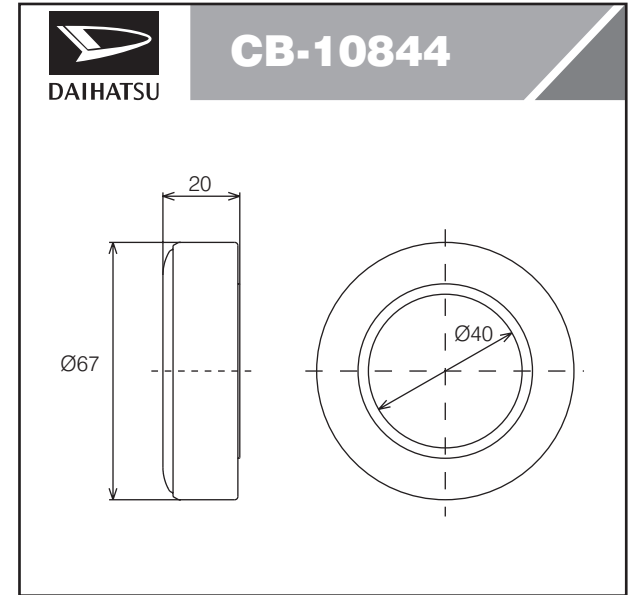
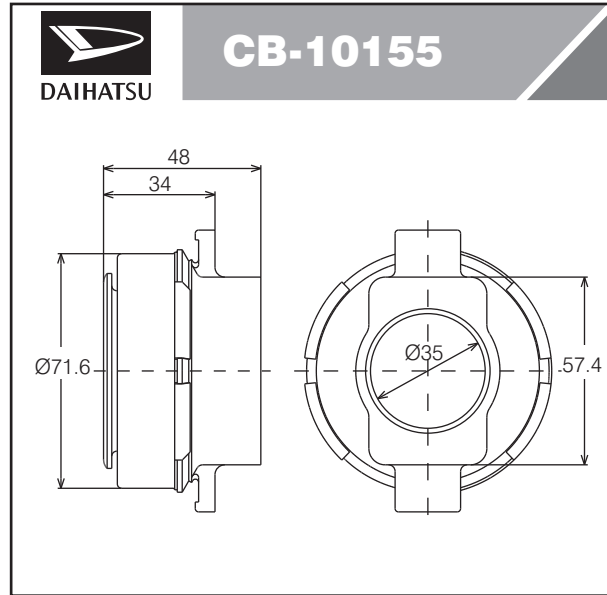
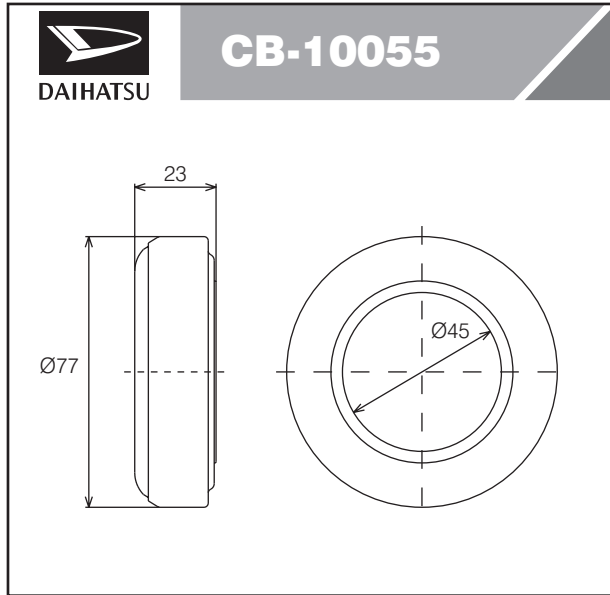


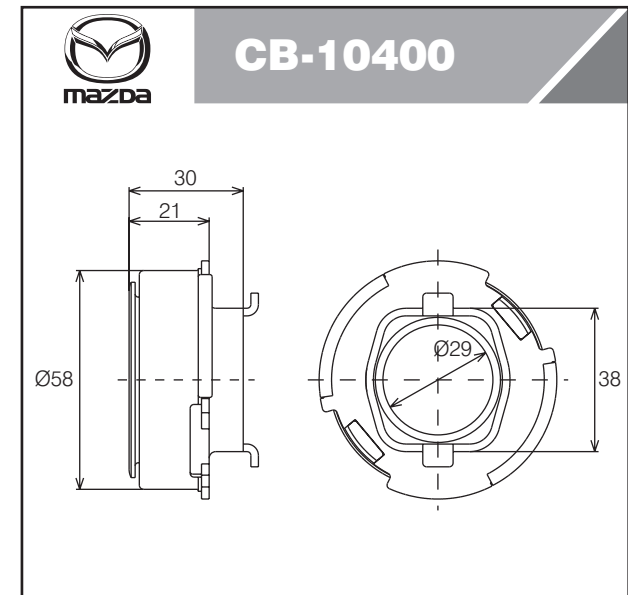
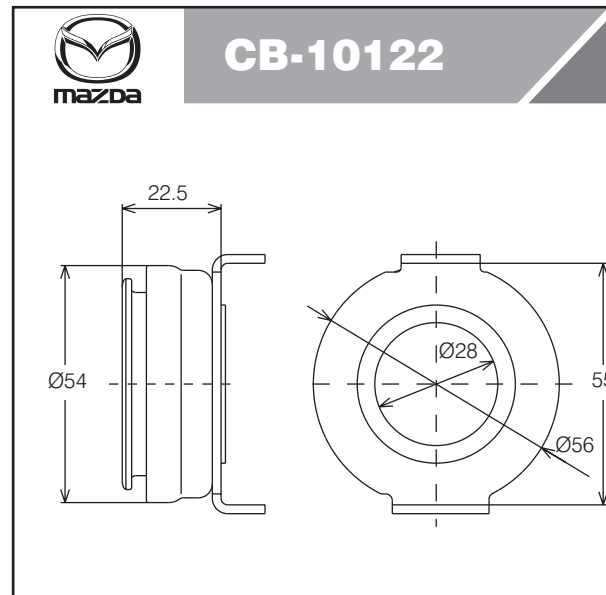
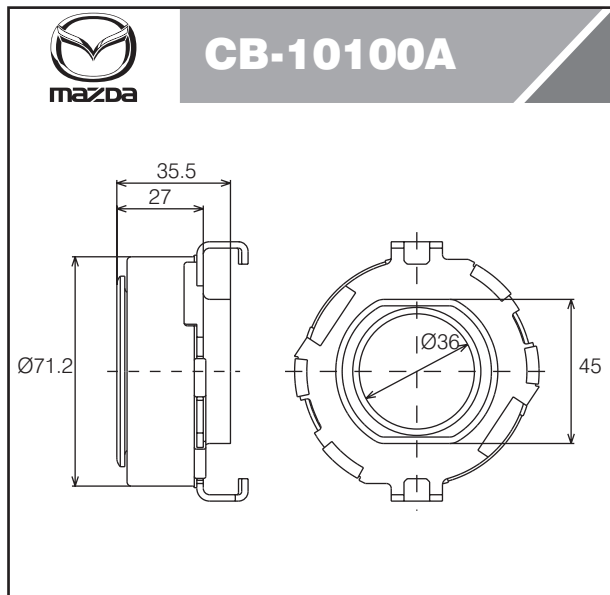
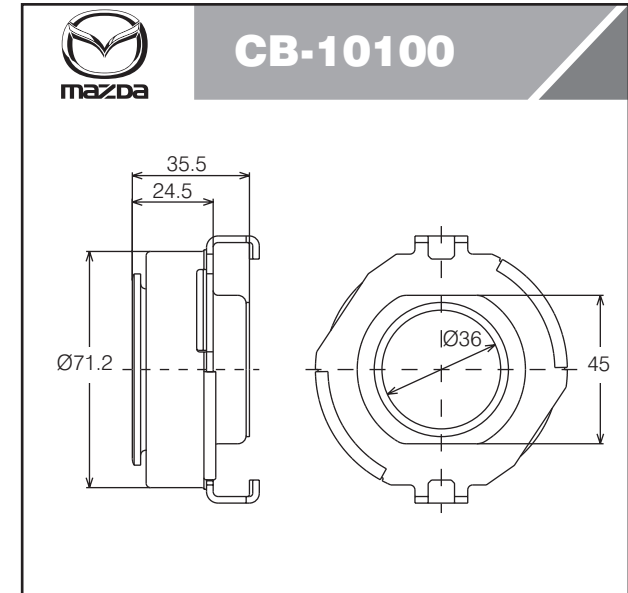
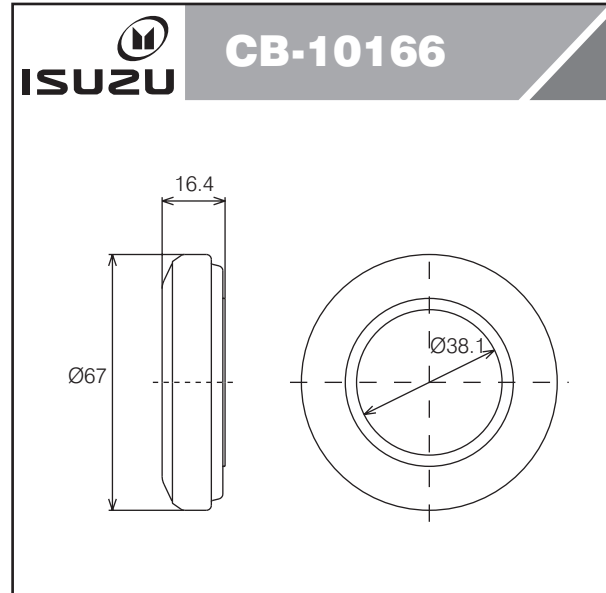
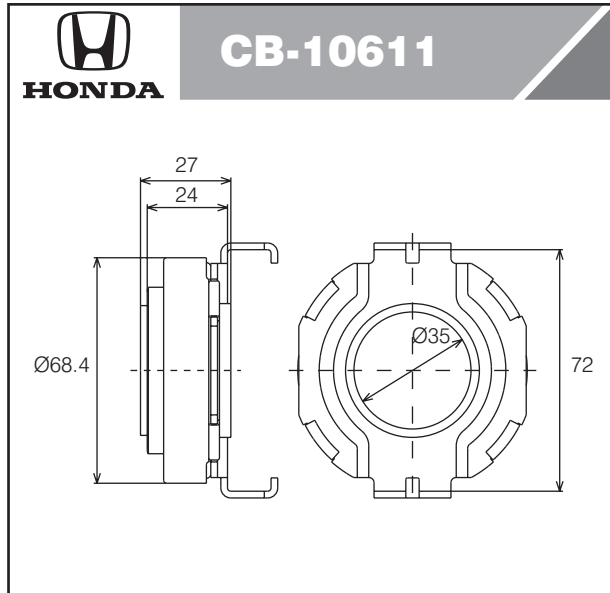
SCHEMATIC DIAGRAM

iCHIBAN



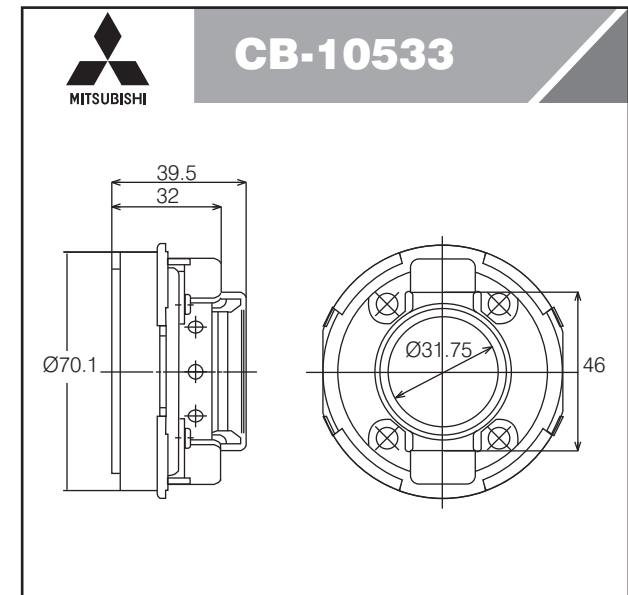
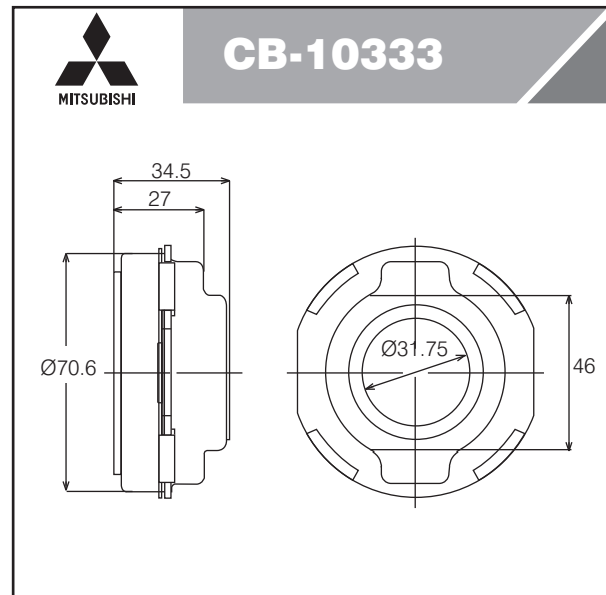
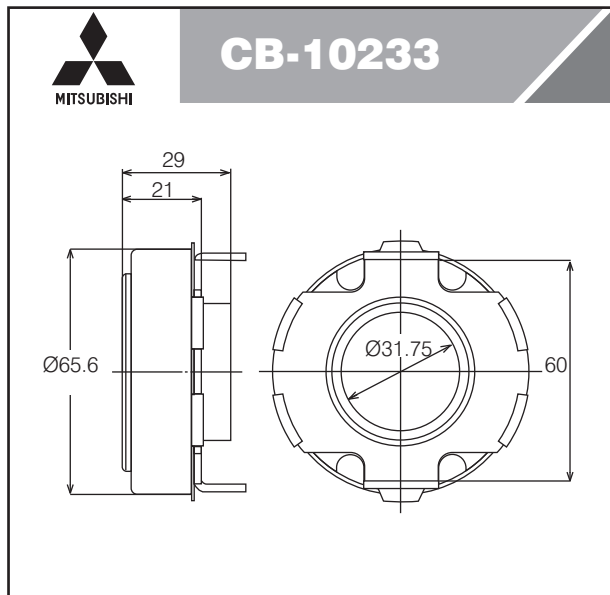
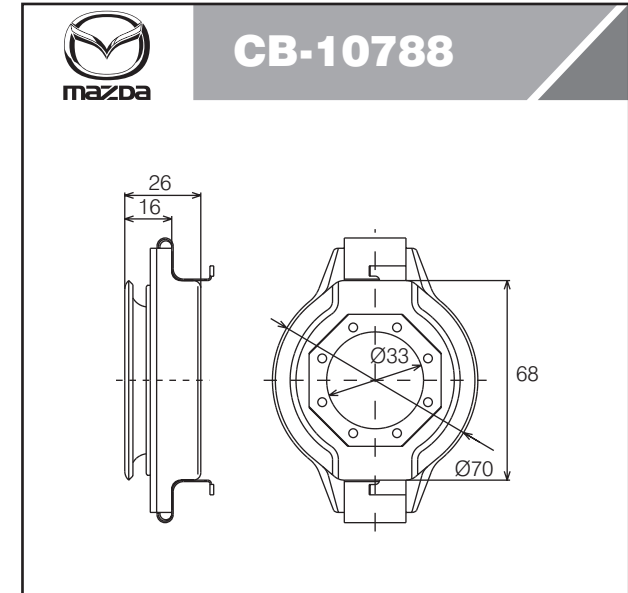
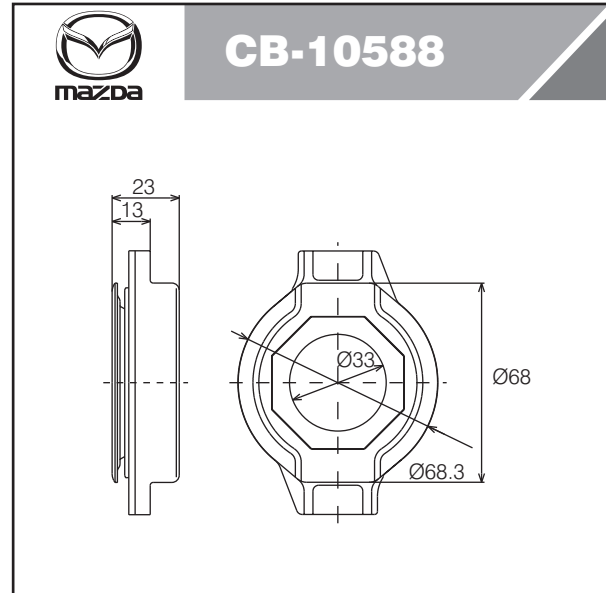
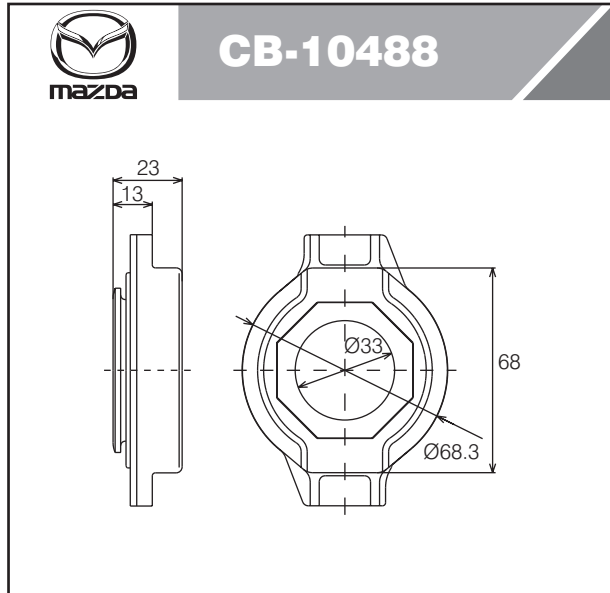
SCHEMATIC DIAGRAM

iCHIBAN



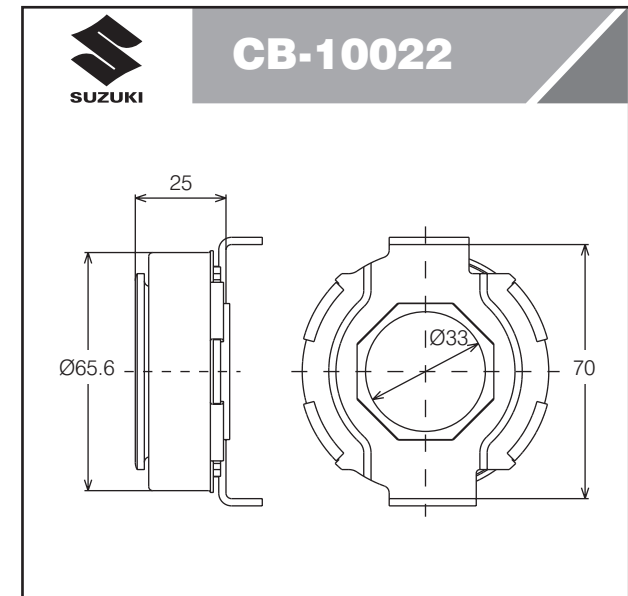
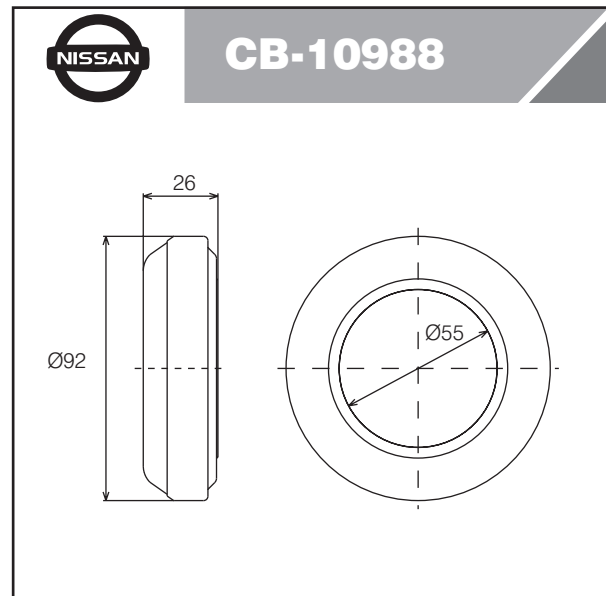
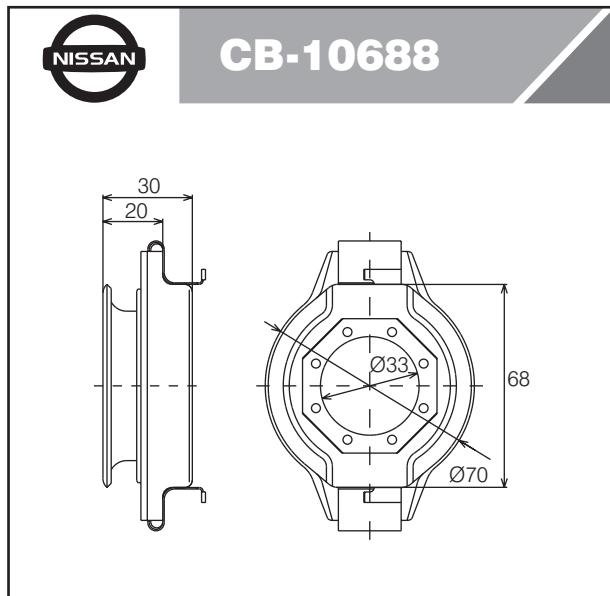
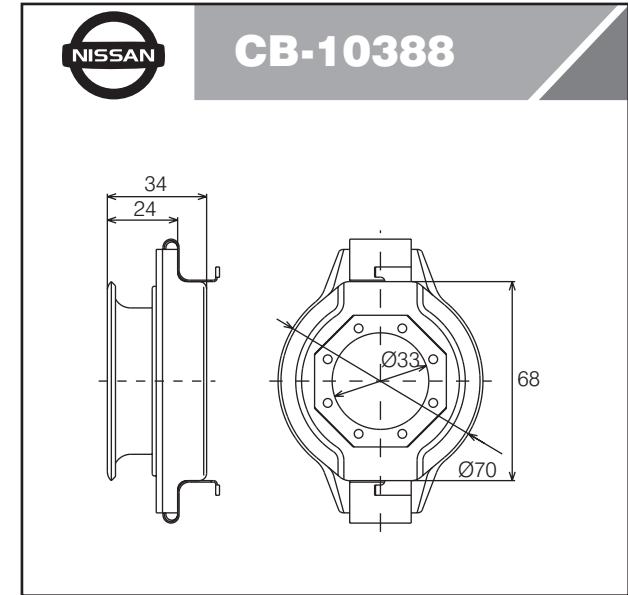
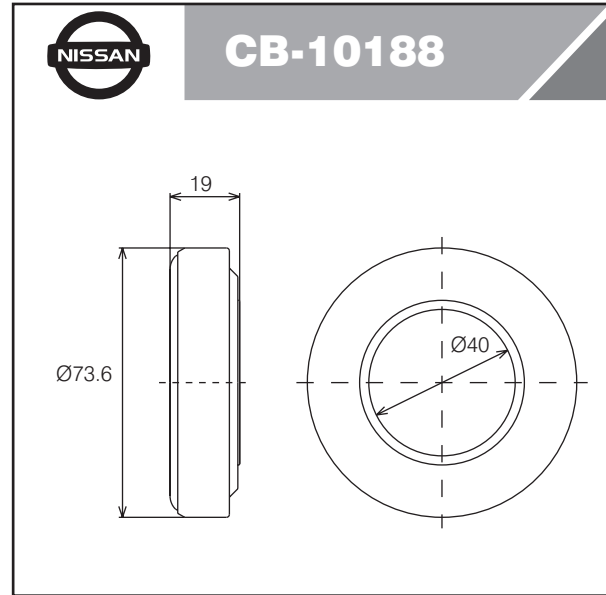
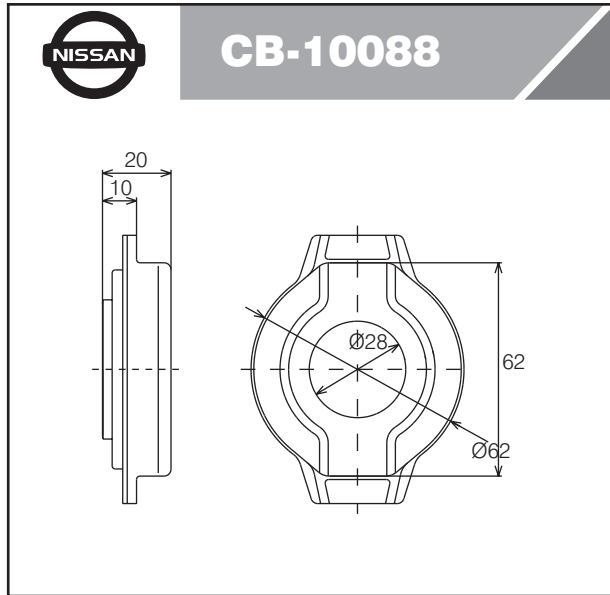
SCHEMATIC DIAGRAM

ICHIBAN



SCHMATIC DIAGRAM

iCHIBAN



SCHEMATIC DIAGRAM

iCHIBAN

